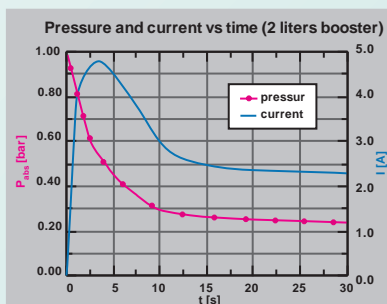
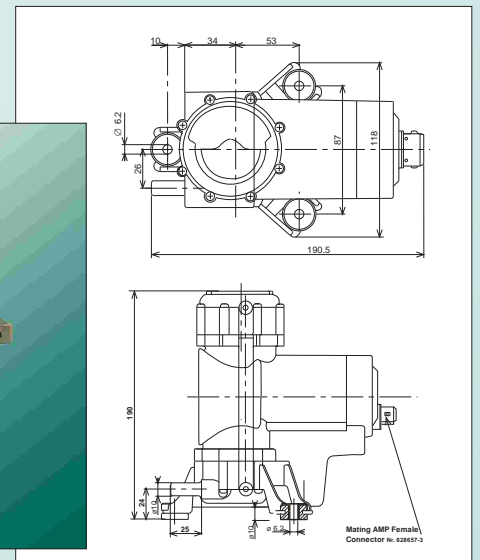
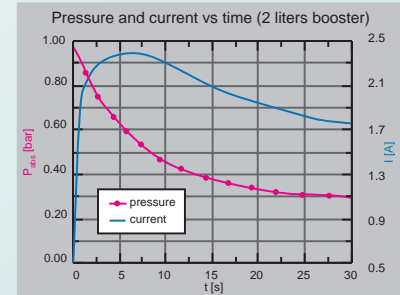
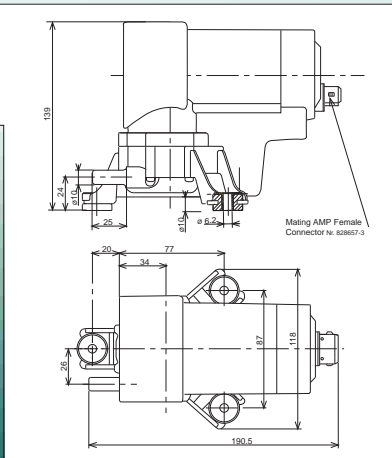
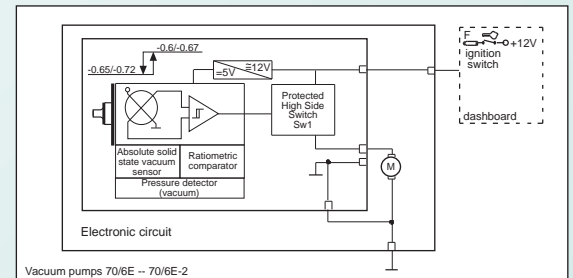


This product is designed to create vacuum in the brake boosters of electric vehicles. It includes an electronic pressure switch (Type 70/6E relative pressure measuring sensor) (Type 70/6E2 absolute pressure measuring sensor) that turns off the pump when the vacuum in the booster reaches a customized maximum value. It also includes a one-way valve to maintain the vacuum in the booster. The hysteresis of the pressure switch can be changed on request.

### Technical data

	70/6E	70/6E2
Nominal voltage:	12 VDC	12 VDC
Max. current:	< 2.5 A	< 5 A
Time to -0.5 bar in a 2 liters booster:	< 12 s	< 6 s
Max. recommended vacuum:	-0.65 bar	-0.72 bar
Min. pressure switch hysteresis:	0.050 bar	0.050 bar
Weight:	1.3 kg	1.4 kg
Noise level:	< 58 dBA	
Temperature:	-20 ÷ +80 °C	



The information contained herewith is subject to change without notice

